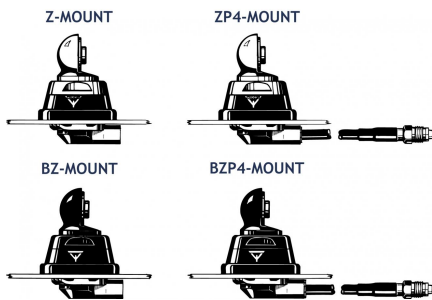
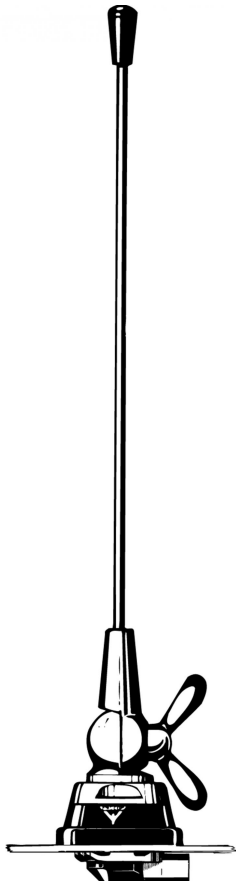


MU 1-Z/...

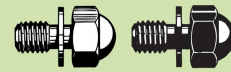
Unity Gain $\frac{1}{4}$ λ Mobile Antenna for the 450 MHz Band

DESCRIPTION

- Stainless steel whip with toggle joint.
- Type MU 1-Z/s covers 370 – 410 MHz
- Type MU 1-Z/l covers 406 – 440 MHz
- Type MU 1-Z/h covers 430 – 470 MHz – no tuning required
- Stainless steel Z-mount with ball-joint and wing screw whip-fastening system.
- Available with bright or black-chromed metal parts (mount and whip):
 - MU 1-Z/...: Bright version
 - MU 1-BZ/...: Black version
- Simple mounting exclusively with access from the outside.
Choice between two connection principles:
 - Z-mount: FME-connection (supplied without cable).
 - ZP4-mount: Permanently attached 4 m cable terminated with FME-connector.



Hat screw option:



For antenna delivered with hat screw instead of wing screw add a K to the antenna designation.

ORDERING DESIGNATIONS

TYPE	PRODUCT NO.	FREQUENCY	MOUNT VERSION
MU 1-Z/s	130000880	370 - 410 MHz	Z-mount with FME-system BRIGHT
MU 1-Z/l	130000872	406 - 440 MHz	Same mount as above
MU 1-Z/h	130000875	430 - 470 MHz	Same mount as above
MU 1-BZ/s	130000881	370 - 410 MHz	BZ-mount with FME-system BLACK
MU 1-BZ/l	130000883	406 - 440 MHz	Same mount as above
MU 1-BZ/h	130000882	430 - 470 MHz	Same mount as above
MU 1-ZP4/s	130000870	370 - 410 MHz	ZP4-mount with 4 m cable and FME-connector BRIGHT
MU 1-ZP4/l	130000876	406 - 440 MHz	Same mount as above
MU 1-ZP4/h	130000877	430 - 470 MHz	Same mount as above
MU 1-BZP4/s	130000871	370 - 410 MHz	BZP4-mount with 4 m cable and FME-connector BLACK
MU 1-BZP4/l	130000873	406 - 440 MHz	Same mount as above
MU 1-BZP4/h	130000874	430 - 470 MHz	Same mount as above

SPECIFICATIONS

ELECTRICAL	
MODEL	MU 1-Z/...
ANTENNA TYPE	$\frac{1}{4}$ λ mobile whip antenna
FREQUENCY	450 MHz-band covered by three models
IMPEDANCE	Nom. 50 Ω
POLARIZATION	Vertical
GAIN	0 dB (acc. to EIA RS-329-1)
BANDWIDTH	≥ 45 MHz @ SWR ≤ 1.5
SWR	≤ 1.2 @ f. res.
MAX. POWER	100 W
MECHANICAL	
MATERIALS	Whip: Stainless steel, bright polished or black-chromed Chromed brass Mount: Chromed brass Weather- and shockproof plastics Stainless steel
RECOMMENDED INSTALLATION TORQUE	7.5 \pm 1 Nm
COLOUR	Bright or black, see above
HEIGHT	Approx. 185 mm
WEIGHT	Z-version: Approx. 140 g ZP4-version: Approx. 280 g
MOUNTING	21 mm dia. hole

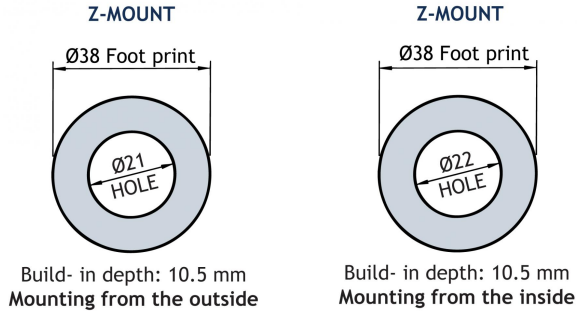
INSTALLATION

This antenna should always be mounted on the car roof to ensure best omnidirectional coverage.

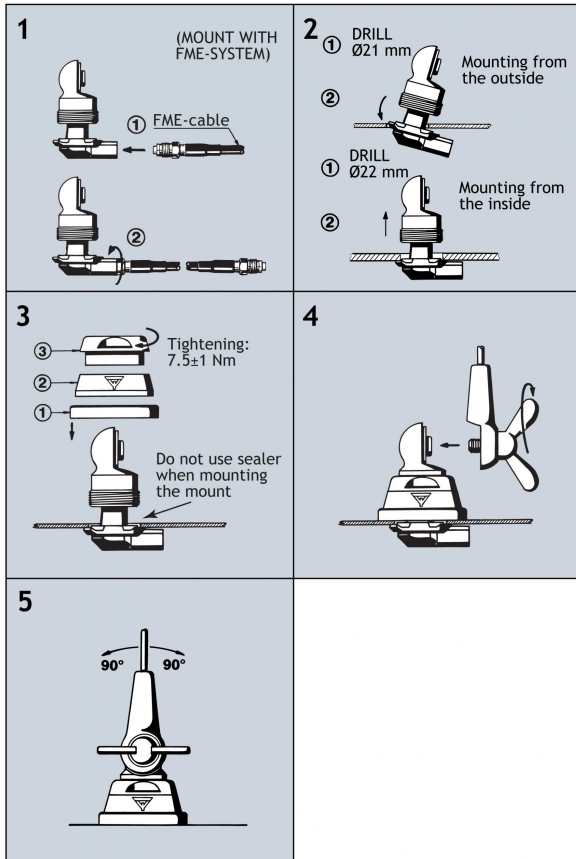
The antenna is provided with type Z-mount. The whip is fastened to the mount by means of our standard ball-joint and wings crew system. The adjustable ball-joint ensures that the whip can always be mounted in a vertical position independent of the angle of the installation spot.

The Z-mount is particularly well suited for mounting on car roofs because of its ability to be installed exclusively with access from the outside. Models with roof thickness from 2 mm to 7.5 mm mounting from the inside.

1. INSTALLATION DIMENSIONS



2. INSTALLATION STEPS



Do not use sealer on rubber gasket or other places.

3. TUNING/MODEL CONVERSION

- The antenna is delivered factory-tuned and requires no further tuning.
- To convert an MU 1-Z/s model into an MU 1-Z/l model, cut off 12 mm of the top end of the whip.
- To convert an MU 1-Z/l model into an MU 1-Z/h model, cut off 10 mm of the top end of the whip.

PLEASE NOTE

As standard the antenna is provided with wing screw. However, the wing screw may be replaced by the less obtrusive hat screw (with key), which also gives an improved protection against theft. To order the antenna with hat screw, please add a "K" to the antenna designation.



PROCOM A/S reserve the right to amend specifications without prior notice.

02/12/11