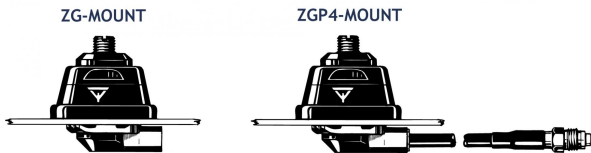
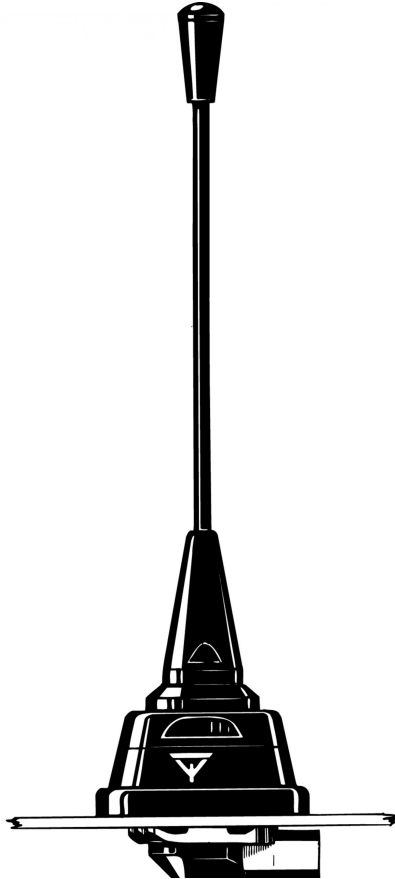


MU 1-ZG/...

Unity Gain $\frac{1}{4}$ λ Mobile Antenna for the 450 MHz Band

DESCRIPTION

- Black-chromed stainless steel whip.
- Type MU 1-ZG/s covers 370 – 410 MHz
Type MU 1-ZG/l covers 406 – 440 MHz
Type MU 1-ZG/h covers 430 – 470 MHz
– no tuning required.
- Stainless steel ZG-mount with M8-thread whip-fastening system.
- Simple mounting exclusively with access from the outside.
- Choice between two connection principles:
 - ZG-mount: FME-connection (supplied without cable).
 - ZGP4-mount: Permanently attached 4 m cable terminated with FME-connector.



ORDERING DESIGNATIONS

TYPE	PRODUCT NO.	FREQUENCY	MOUNT VERSION
MU 1-ZG/s	130000884	370 - 410 MHz	ZG-mount with FME-system
MU 1-ZG/l	130000886	406 - 440 MHz	Same mount as above
MU 1-ZG/h	130000890	430 - 470 MHz	Same mount as above
MU 1-ZGP4/s	130000887	370 - 410 MHz	ZG-mount with 4 m cable and FME-connector
MU 1-ZGP4/l	130000888	406 - 440 MHz	Same mount as above
MU 1-ZGP4/h	130000889	430 - 470 MHz	Same mount as above

SPECIFICATIONS

ELECTRICAL	
MODEL	MU 1-ZG/...
ANTENNA TYPE	$\frac{1}{4}$ λ mobile whip antenna
FREQUENCY	450 MHz-band covered by three models
IMPEDANCE	Nom. 50 Ω
POLARIZATION	Vertical
GAIN	0 dB (acc. to EIA RS-329-1)
BANDWIDTH	≥ 45 MHz @ SWR ≤ 1.5
SWR	≤ 1.2 @ f. res.
MAX. POWER	100 W
MECHANICAL	
MATERIALS	Whip: Stainless steel and brass, black-chromed Mount: Black-chromed brass Weather- and shockproof plastics Stainless steel
RECOMMENDED INSTALLATION TORQUE	7.5 \pm 1 Nm
COLOUR	Black
HEIGHT	Approx. 180 mm
WEIGHT	ZG-version: Approx. 90 g ZGP4-version: Approx. 230 g
MOUNTING	21 mm dia. hole

INSTALLATION

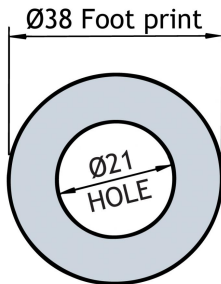
This antenna should always be mounted on the car roof to ensure best omnidirectional coverage. The antenna is provided with our type ZG-mount for mounting from the outside in a 21 mm dia. hole.

The ZG-mount is provided with an M8 x 1thread mount system. This construction meets the demand for a low-profile mobile mount with a slim appearance and with protection against theft of the antenna whip.

When cleaning the car in car-washing machines, the whip is easily removed using a spanner, size 12 mm. The whip is refitted again by screwing it onto the thread stud and tightening it with the spanner.

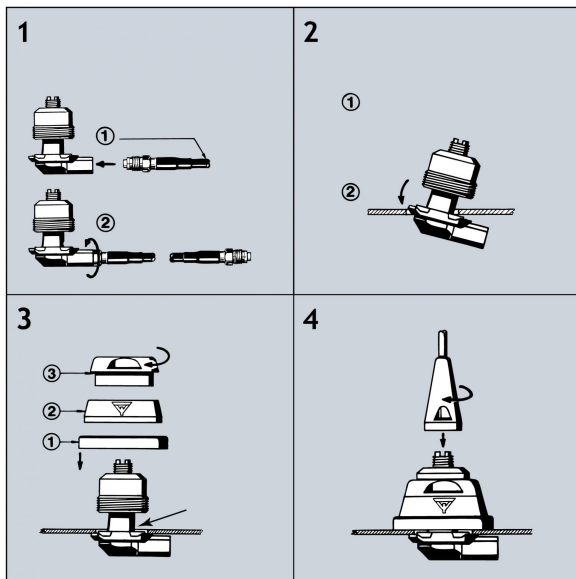
1. INSTALLATION DIMENSIONS

ZG-MOUNT



Build- in depth: 10.5 mm

2. INSTALLATION STEPS



Do not use sealer on rubber gasket or other places.

3. TUNING/MODEL CONVERSION

- The antenna is delivered factory-tuned and requires no further tuning.
- To convert an MU 1-ZG/s model into an MU 1-ZG/l model, cut off 15 mm of the top end of the whip.
- To convert an MU 1-ZG/l model into an MU 1-ZG/h model, cut off 8 mm of the top end of the whip.



PROCOM A/S reserve the right to amend specifications without prior notice.

02/12/11