

MU 5-ZG/...

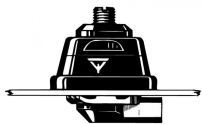
Unity Gain $\frac{1}{4}$ λ Mobile Antenna for the 450 MHz Band

DESCRIPTION

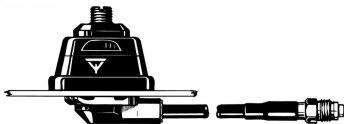
- Sturdy, conical, flexible rubber whip.
- MU 5-ZG/s covers 370–410 MHz
MU 5-ZG/l covers 406–440 MHz
MU 5-ZG/h covers 430–470 MHz
– no tuning required.
- Stainless steel ZG-mount with M8-thread whip-fastening system.
- Simple mounting exclusively with access from the outside.
- Choice between two connection principles:
 - ZG-mount: FME-connection (supplied without cable)
 - ZGP4-mount: Permanently attached 4 m cable terminated with FME-connector.



ZG-MOUNT



ZGP4-MOUNT



ORDERING DESIGNATIONS

TYPE	PRODUCT NO.	FREQUENCY RANGE
ZG-mount with FME		
MU 5-ZG/s	130001052	370 - 410 MHz
MU 5-ZG/l	130001054	406 - 440 MHz
MU 5-ZG/h	130001055	430 - 470 MHz
ZGP4-mount with 4 m cable and FME-conn.		
MU 5-ZGP4/s	130001058	370 - 410 MHz
MU 5-ZGP4/l	130001056	406 - 440 MHz
MU 5-ZGP4/h	130001057	430 - 470 MHz

SPECIFICATIONS

ELECTRICAL	
MODEL	MU 5-ZG/...
ANTENNA TYPE	$\frac{1}{4}$ λ mobile whip antenna
FREQUENCY	450 MHz-band covered by three models
IMPEDANCE	Nom. 50 Ω
POLARIZATION	Vertical
GAIN	0 dB (acc. to EIA RS-329-1)
BANDWIDTH	≥ 45 MHz @ SWR ≤ 1.5
SWR	≤ 1.2 @ f. res.
MAX. POWER	100 W
MECHANICAL	
MATERIALS	Whip: Sturdy, flexible rubber with cast-in multicore steel wire radiating element Mount: Black-chromed brass Weather- and shockproof plastics Stainless steel
RECOMMENDED INSTALLATION TORQUE	7.5 \pm 1 Nm
COLOUR	Black
HEIGHT	Approx. 175 mm
WEIGHT	ZG-version: Approx. 130 g ZGP4-version: Approx. 270 g
MOUNTING	21 mm dia. hole

INSTALLATION

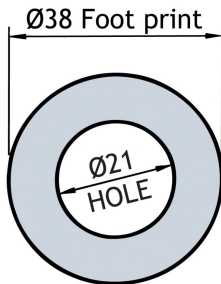
This antenna should always be mounted on the car roof to ensure best omnidirectional coverage. The antenna is provided with our type ZG-mount for mounting from the outside in a 21 mm dia. hole.

The ZG-mount is provided with an M8 x 1 thread mount system. This construction meets the demand for a low-profile mobile mount with a slim appearance and with protection against theft of the antenna whip.

When cleaning the car in car-washing machines, the whip is easily removed using a spanner, size 12 mm. The whip is refitted again by screwing it onto the thread stud and tightening it with the spanner.

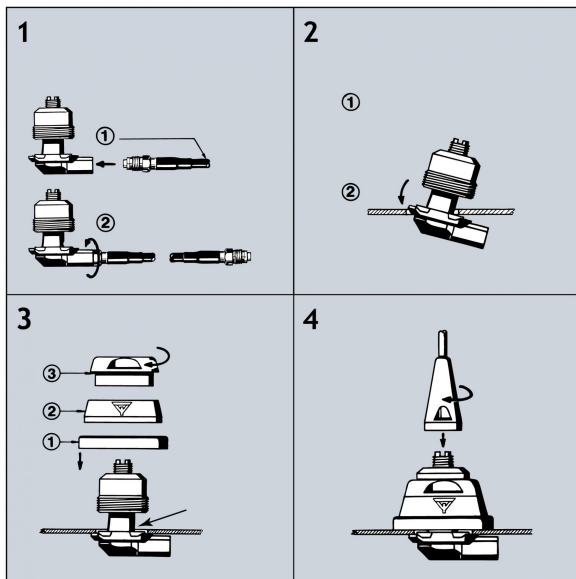
1. INSTALLATION DIMENSIONS

ZG-MOUNT



Build- in depth: 10.5 mm

2. INSTALLATION STEPS



Do not use sealer on rubber gasket or other places.

3. TUNING/MODEL CONVERSION

The antenna is delivered factory-tuned and requires no further tuning.

To convert an MU 5-ZG/s model into an MU 5-ZG/l model, cut off 14 mm of the top end of the whip.

To convert an MU 5-ZG/l model into an MU 5-ZG/h model, cut off 8 mm of the top end of the whip.



PROCOM A/S reserve the right to amend specifications without prior notice.

15/12/11